



Intelligent Power Factor Controller
with Automatic set-up

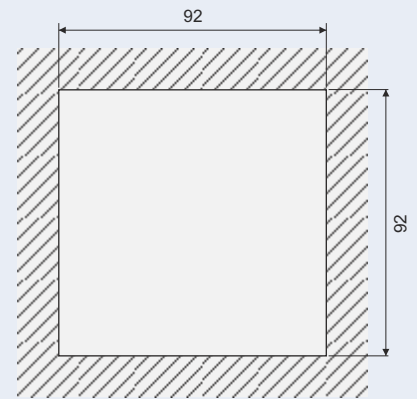
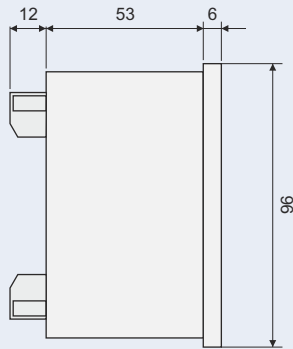
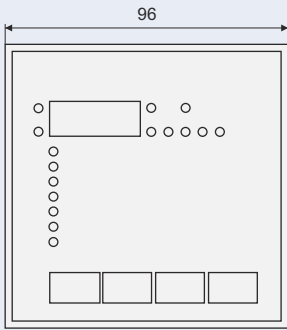
etaCON Series

Automatic Power Factor Controller

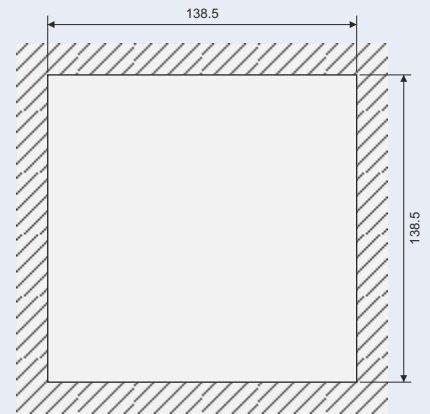
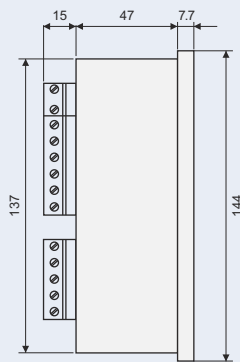
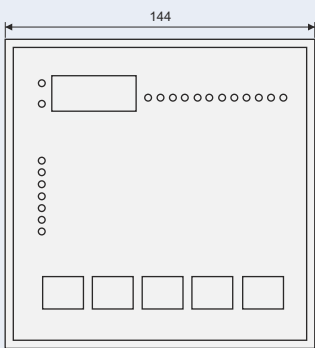
Description	etaCON L series APFC relay
No.of steps	3, 5, 7, 8, 12
Design	Digital Microprocessor-based
Display	3-Digit LED
Current Input	5 Amp
Voltage Input	415-440 VAC
Rated Frequency	50/ 60 Hz
Measurement	Instantaneous PF, V, I, KVAh, Capacitor Overload
	Panel temperature, Average weekly PF,
	Maximum Voltage, current, capacitor overload, panel temperature value
Setting	Target PF adjustment: 0.8 inductive to 0.8 capacitive
	Reconnection time of same capacitor: 5 - 240 secs
	Switching time sensitivity: 5 - 600 secs
Alarms	Under/Over compensation; Low/High Current; Low/High Voltage
	Capacitor Overload due to harmonic Voltage; Over temperature; No-voltage release
Power consumption	6.2 VA
Burden on CT	0.65 VA
Dimensions	etaCON L3, L5, L7: 96 x 96 x 71 mm
	etaCON L8, L12: 144 x 144 x 69.7 mm
Panel cutout	etaCON L3, L5, L7: 92 x 92 mm
	etaCON L8, L12: 138.5 x 138.5 mm

Ordering Information	etaCON series APFC relay
Voltage Input	415V AC
CT Input	5A secondary
No.of steps	3 / 5 / 7 / 8 / 12

etaCON L3 / etaCON L5 / etaCON L7



etaCON L8 / etaCON L12



Dimensions in mm

etaCON L Variants

Cat. No.	Description	CT/Voltage Input	No. of steps
ERPML03D500	etaCONL3; 3 stage APFC relay	5A/ 415V	3
ERPML05D500	etaCONL5; 5 stage APFC relay	5A/ 415V	5
ERPML07D500	etaCONL7; 7 stage APFC relay	5A/ 415V	7
ERPML08D500	etaCONL8; 8 stage APFC relay	5A/ 415V	8
ERPML12D500	etaCONL12; 12 stage APFC relay	5A/ 415V	12